

YB-620(LED)

Fail Secure Electric Bolt W/Cylinder

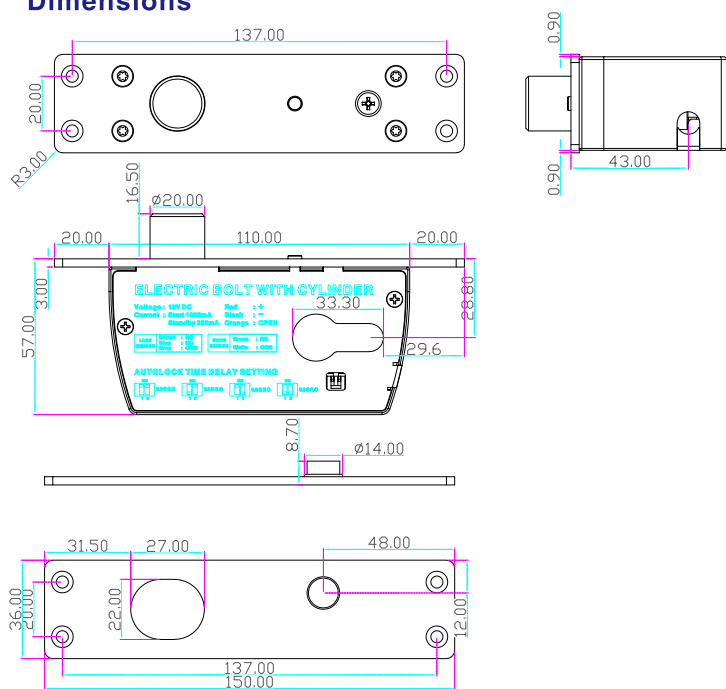


Product overview

YB-620(LED) is an all-metal construction electric bolt with European-type cylinder and has both electric control and manual control functions. The Fail Secure is Unlocked when energized. Under the temperature of 60 °C or -40 °C below zero it can be operated normally benefit by the all-metal linkage parts. The 304 stainless steel bolt can withstand 2000kg holding force.

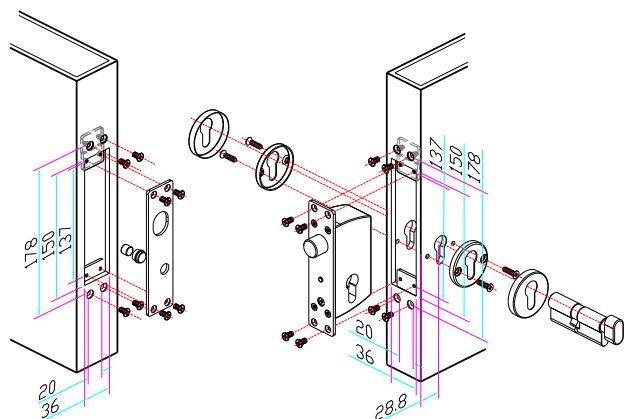
Dimensions

Unit: mm



Parameter/Model	YB-620(LED)
Parameter	Description
Feature	Fail Secure
Lock Body	150Lx36WX57H(mm)
Magnetic Plate	150Lx36Wx3H(mm)
Bolt	16.5(length)*20(diameter)(mm)
Voltage	DC12V
Start Current	1000mA
Standby Current	350mA
LED	Light on indicates locked, light off indicates unlocked
Suitable For	Wooden door , metal door , fireproof door , glass door
Autolock Time Delay	0,3,6,9sec
Signal Output	Lock signal(NO/NC/COM);Door signal(NO/COM)
Material	304 stainless steel,wire draw finishing
Induction Distance	Within 8mm
Weight	1.25kg

Installation dimension

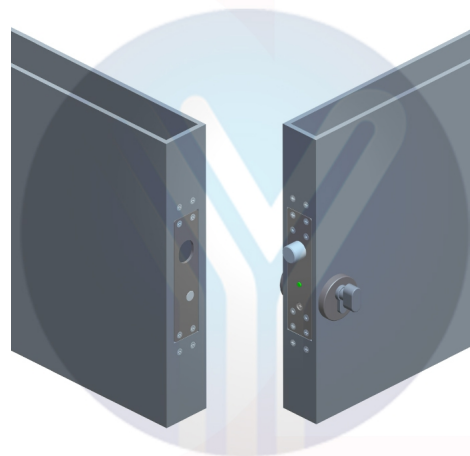


Attention: Bolt should not be upward when install.

Shenzhen YLI Electric Lock Co.,Ltd.

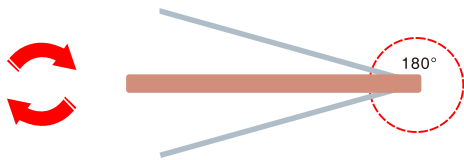
Room 1605, Block A, Haisong Building, Tairan 9th Road, Futian District, Shenzhen, China
 TEL:86-755-83489801/02/03/04/05/06 FAX:86-755-83489807
 Website: www.yli.cn E-mail: yli@yli.cn

Installation diagram



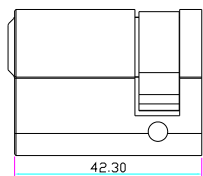
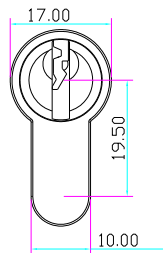
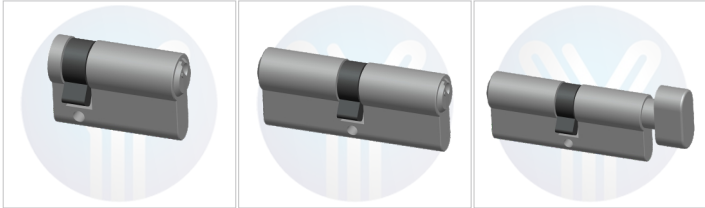
Suitable for double action doors

Electric bolts are specially designed for double action doors. They can also be installed on both inswing doors and outswing doors.

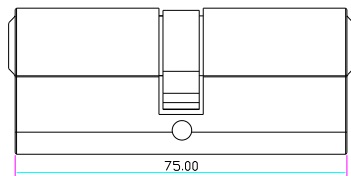
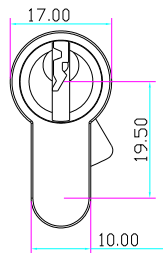


Optional cylinder

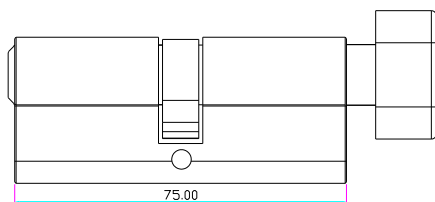
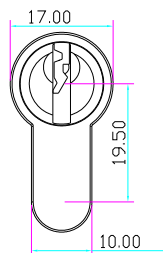
Single side or both-side cylinder is available. Other size of cylinders can be customized, 80/90/100/110/120mm.



Single side cylinder



Both-side cylinder



Single side cylinder with thumb turn (standard option)

Specially designed of European-type cylinder with electric control and manual control functions

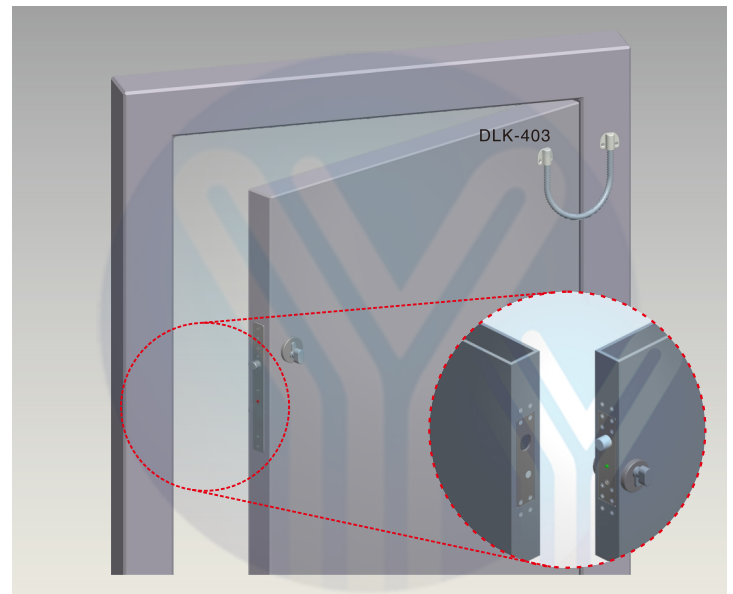
Auto-lock time delay function

This can be set up from 0 to 15 seconds by adjusting the jumpers.



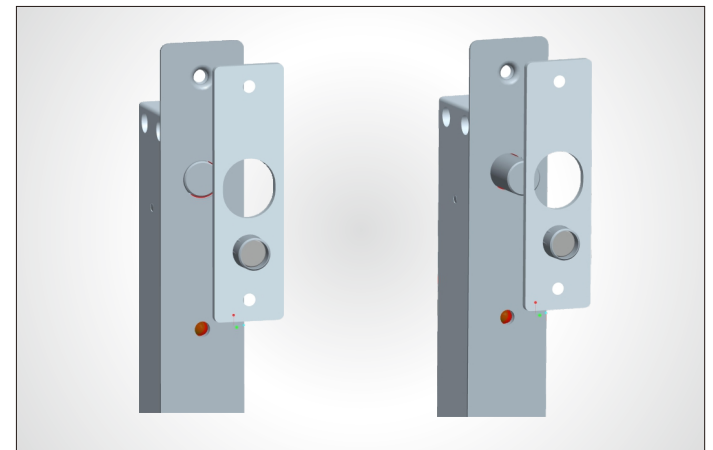
Optional accessory

The door loop is used for protection of extension wiring from damages for security reasons. (Optional models: DLK-401/402/403)



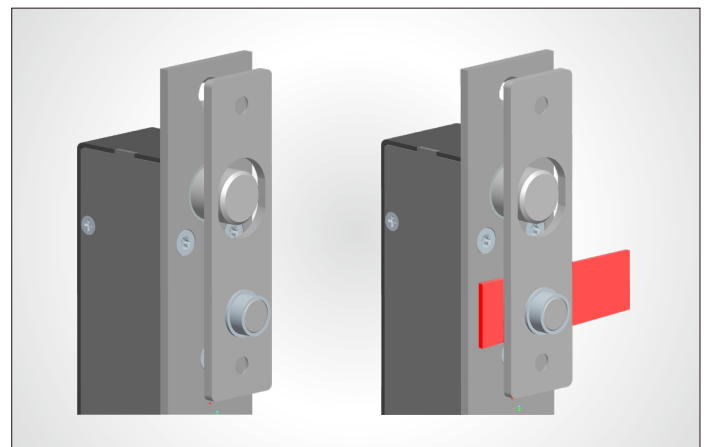
Auto-detective circuitry

This special auto-detective circuit of electric bolt keeps the bolt retracted while the door unlocked or improperly aligned until the door is properly closed.



Vandal resistant circuitry

The reed sensor will automatically disconnect when the door is actually closed in order to enhance the security of the lock.



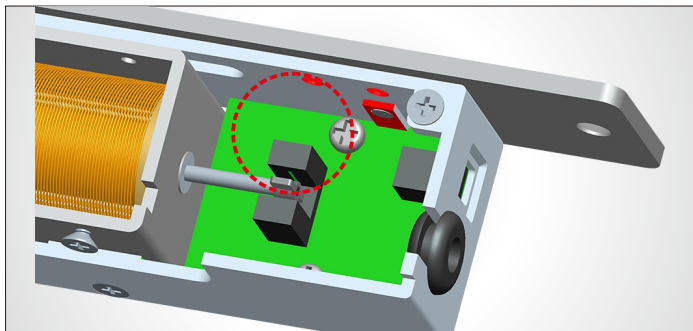
Shenzhen YLI Electric Lock Co.,Ltd.

Room 1605, Block A, Haisong Building, Tairan 9th Road, Futian District, Shenzhen, China
 TEL:86-755-83489801/02/03/04/05/06 FAX:86-755-83489807
 Website: www.yli.cn E-mail: yli@yli.cn



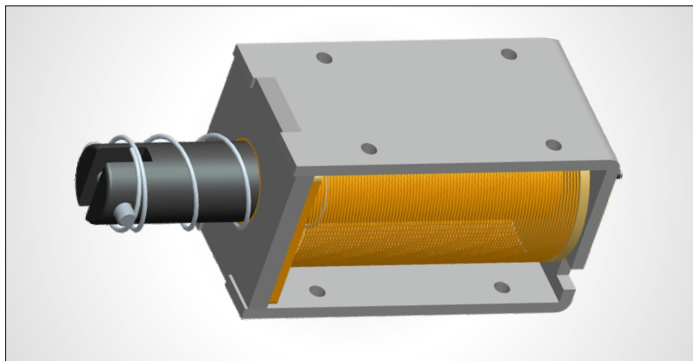
Photoelectric sensor control

Instead of using electric components, we use photoelectric components to make the bolt more stable and durable. at the same time, it can increase the lifetime of the electric bolt.



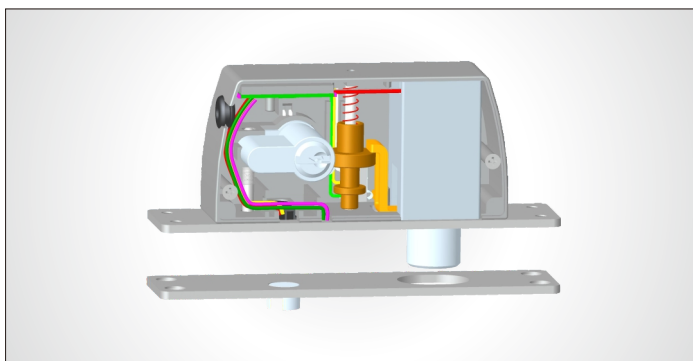
Ultra durable solenoid valve

Tested for over 500,000 times, the specially designed solenoid valve can be used for 5 to 10 years.



All-metal lock body

The all-metal lock body and components make the lock stronger and more durable, which ensure the lock can work under the harsh environment. (Can order the lock work at the temperature of 60 °C or 40 °C below zero.)



Connecting instructions

With the special auto-detective circuit, we advise you to connect our own open wires to open the door instead of shutting off the power directly.

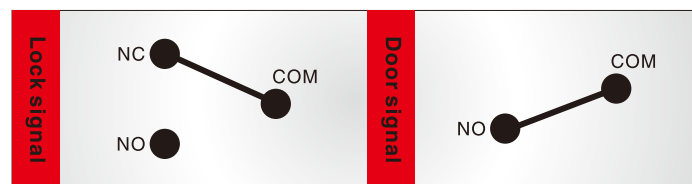
	Red		+	12V DC	
	Black		-		
	Orange			OPEN	
	Blue			NO	} Lock signal
	Brown			NC	
	Gray			COM	
	Green			NO	} Door signal
	White			COM	

Shenzhen YLI Electric Lock Co.,Ltd.

Room 1605, Block A, Haisong Building, Tairan 9th Road, Futian District, Shenzhen, China
 TEL:86-755-83489801/02/03/04/05/06 FAX:86-755-83489807
 Website: www.yli.cn E-mail: yli@yli.cn

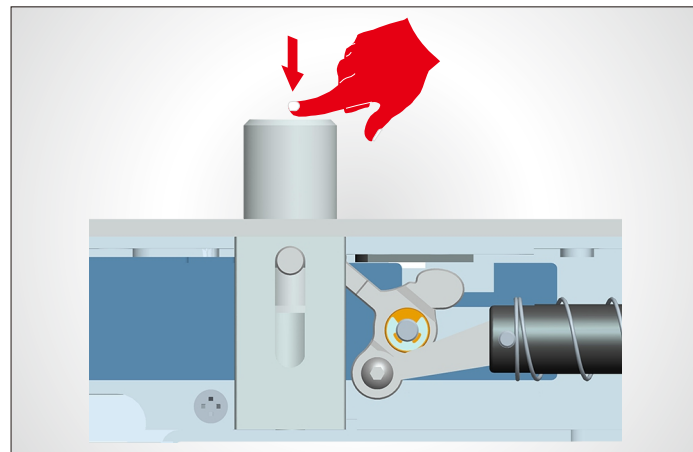
Optional door or lock sensor output

Standard option is a set of NO/NC/COM lock signal output contact.(NO/COM of door signal output contact can be customized, YB-600B (LED)-DS)



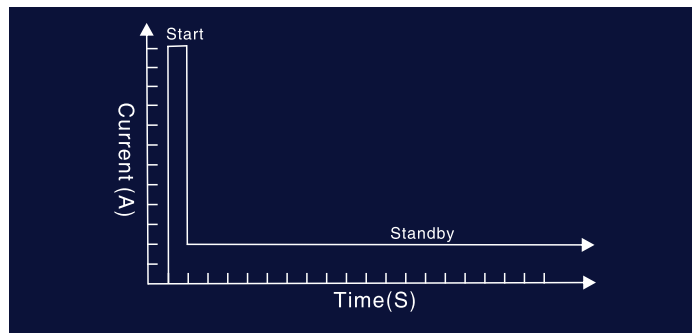
Optional anti-burglar function

When the bolt is extended, it cannot be retracted by the external force without permission.



Energy saving design

When the bolt is extended to keep the door locked, it draws only 0.2A in a holding mode down from 1.2A while the bolt is retracted. This design extends the life of the electric bolt.



304 stainless steel solid bolt

With 304 stainless steel solid bolt, the electric bolt has 2000kg holding force. It is stronger and more durable under the harsh environment.

